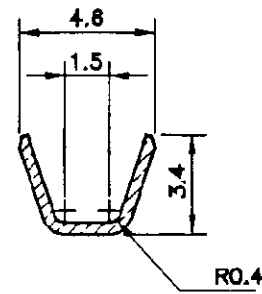
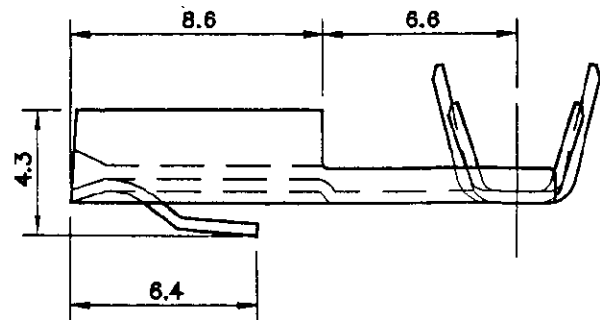
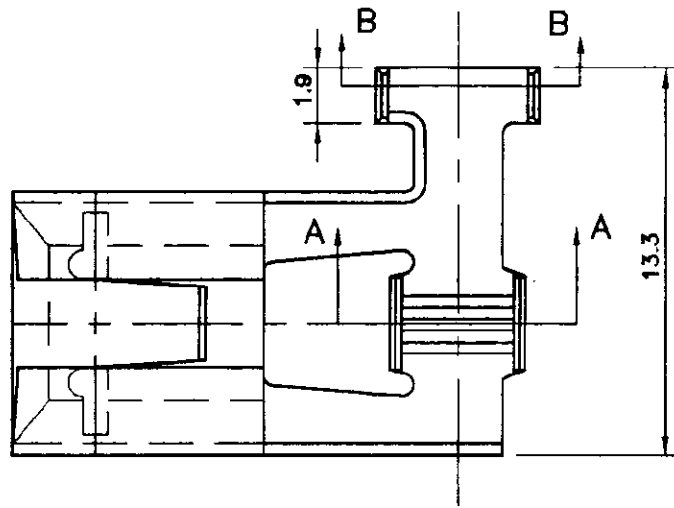
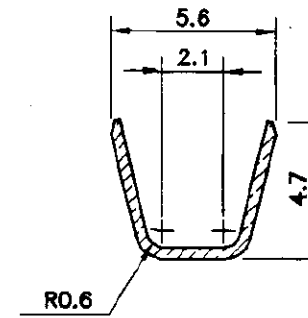


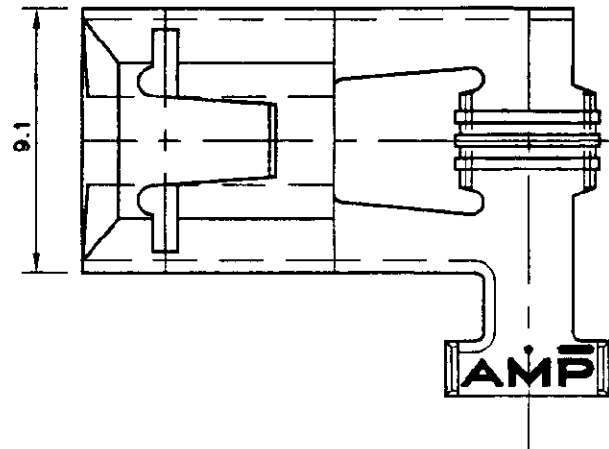
DRAWING MADE IN THIRD ANGLE PROJECTION



SECTION A-A



SECTION B-B



**CONTROLLED**

THIS INFORMATION IS CONFIDENTIAL AND DISCLOSED TO YOU ON CONDITION THAT NO FURTHER DISCLOSURE IS MADE BY YOU TO OTHER THAN AMP PERSONNEL WITHOUT WRITTEN AUTHORIZATION FROM ALLIANTIAN AMP

WIRE RANGE: 0.5-1.5 sq mm		-		BRASS		190789-0	
INSULATION RANGE: N/A		REMARKS	FINISH	MATERIAL		PART No	
		SIZE 0.4±0.013X21.84±0.05					
		DATE 28/03/94	CHK FP				
		DR RB	APP BL				
		NAME RECEPTACLE, FLAG, FASTON, 0.312				ECC-CODE	
						U	
		SCALE AS 4:1 or SHOWN	SIZE A3	DWG No. C-190789		SHEET 1 OF 1	REV A
P	F	LTR	REVISION RECORD	APP	DATE		
					17/5/95		

8

7

6

5

4

3

2

CUSTOMER DRAWING

1

**ORIGINAL**